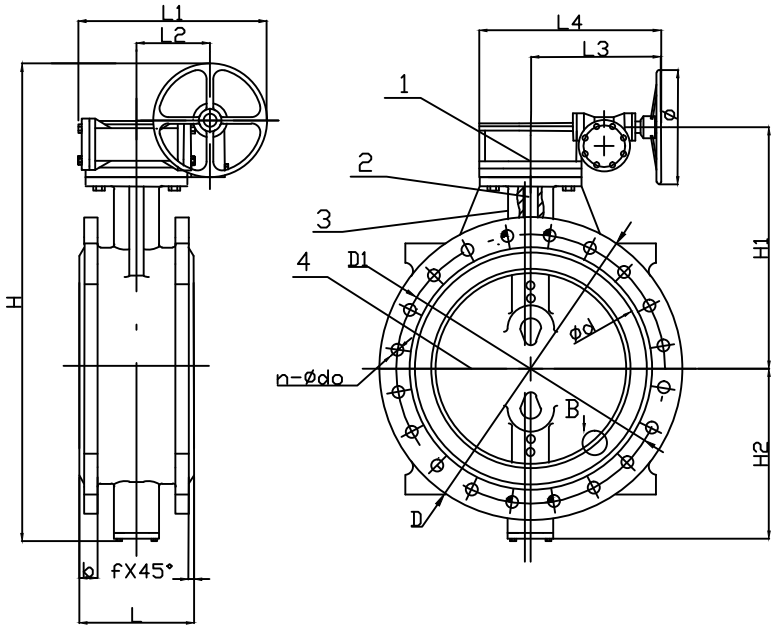
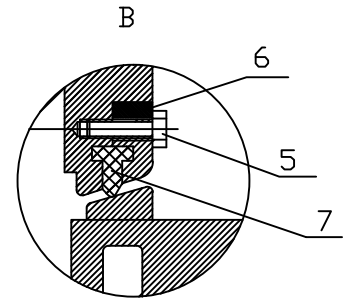


The list about dimension for Double eccentric butterfly valve	
Technical specification	
Design Standard	GB12238-89, API609
Face to Face	GB12221, API609 MSS-67-1995, ANSI B16.1
Flange Standard	ANSI 125/150 DIN2501 PN10/PN16
Connection Manner	Wafer Connection
Inspection and Test	GB13927, API598
Nominal Pressure	1.0Mpa, 1.6Mpa, 150Lb
Model of Driving	Hand, electrically-driven, air-operated and so on model of operation



Item	Parts Name	Material	Standard
1	Gear Box	Assembling	A536 (Gear)
2	Stem	SS410	A276
		SS420	A276
3	Body	GGG40	A536
		GGG40	A536
5	Bolt	Carbon Steel	A108
		SS304	A276
6	Retainer	WCB	A216
		SS304	A351
7	O-Ring	EPDM	ASTM D20004
		NBR	
		VITON	



Dimension of Body Construction

28"	DN700	45	5	1491	772	569	430	635	370	591	711	300	
32"	DN800	49	5	1522	802	570	470	635	370	591	711	300	
36"	DN900	53	5	1596	819	627	510	955	455	591	807	300	
40"	DN1000	50	5	1816	960	706	550	955	455	591	807	300	
48"	DN1200	50	5	2034	1069	815	630	1190	680	801	1089	300	
SIZE		b	f	H	H1	H2	L	L1	L2	L3	L4	φ	Weight(Kg)

Dimension of Connection

28"	DN700	840	24-31	895	800	840	24-37	910	794	863.6	28-35.1	910	800.1
32"	DN800	950	24-34	1015	905	950	24-40	1025	901	911.9	28-41.1	1050	914.4
36"	DN900	1050	28-34	1150	1005	1050	28-40	1125	1001	1085.8	32-41.1	1168	1022.4
40"	DN1000	1160	28-37	1230	1110	1170	28-43	1255	1116	1200.2	36-41.1	1255	1124
48"	DN1200	1380	28-40	1455	1330	1390	32-43	1485	1330	1422.4	44-41.1	1511.3	1358.9
SIZE	φD1	n-φd0	φD	φd	φD1	n-φd0	φD	φd	φD1	n-φd0	φD	φd	
													DIN PN10